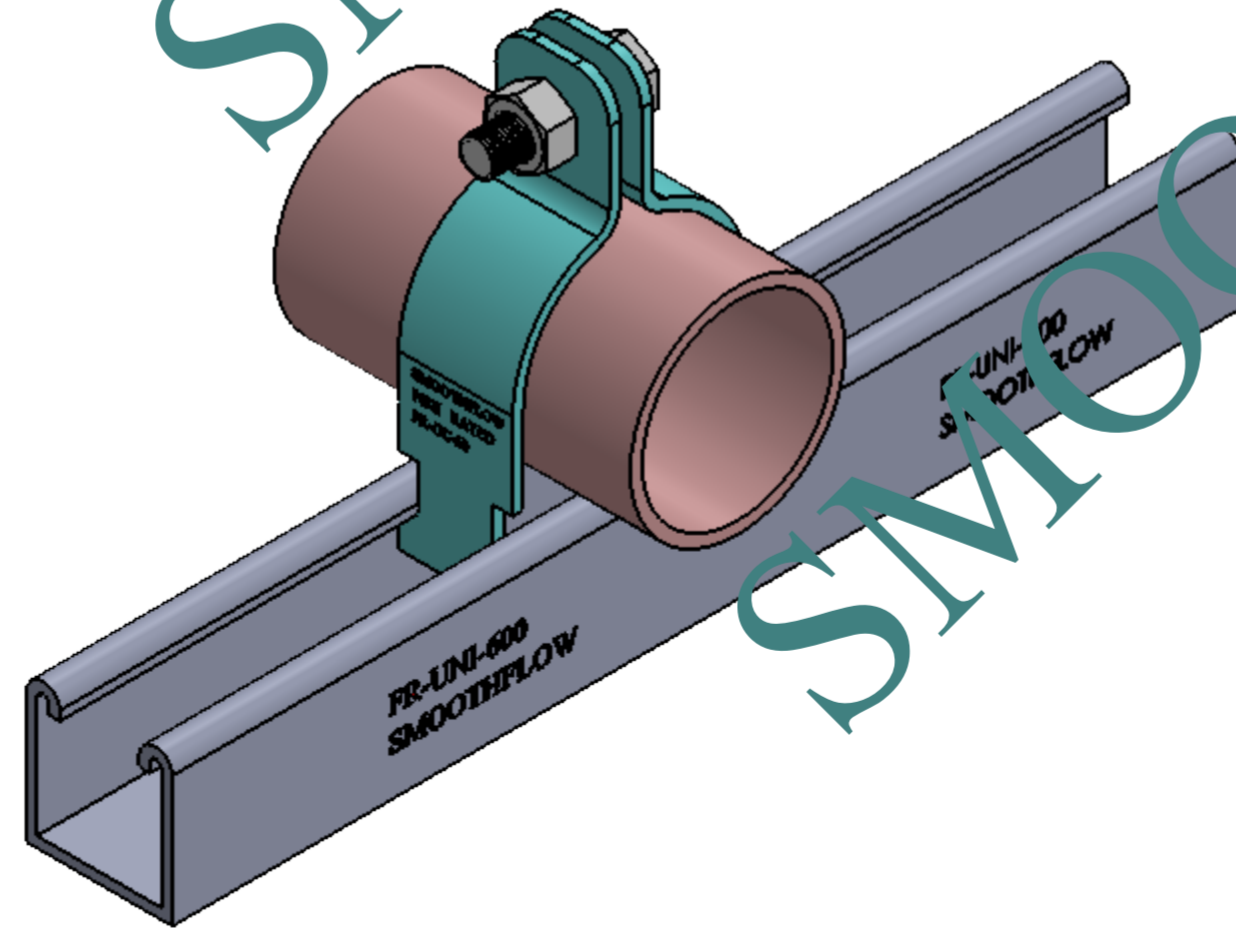
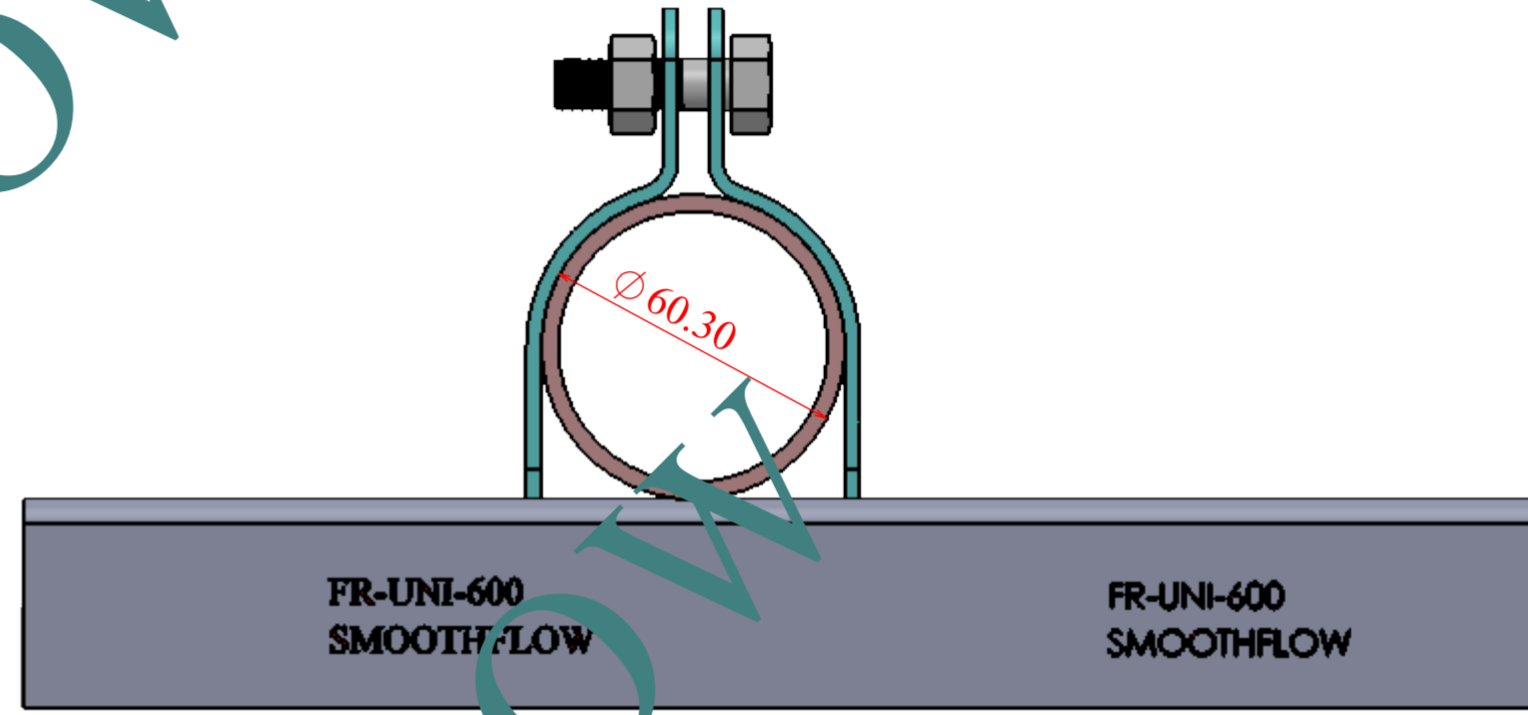
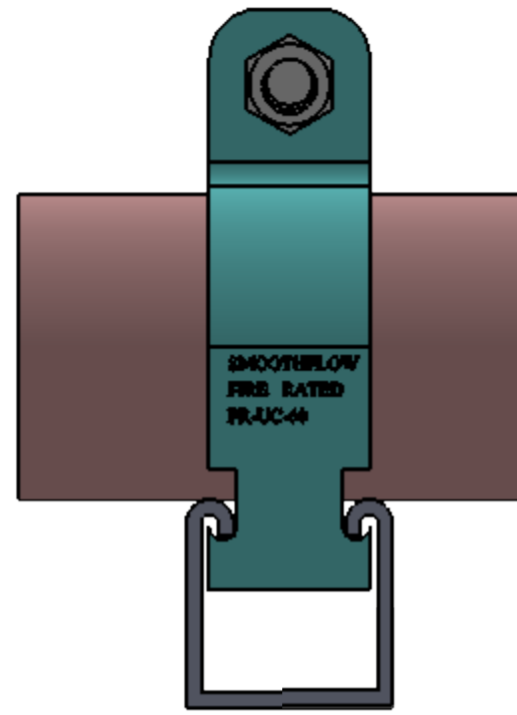


SMOOTHFLOW

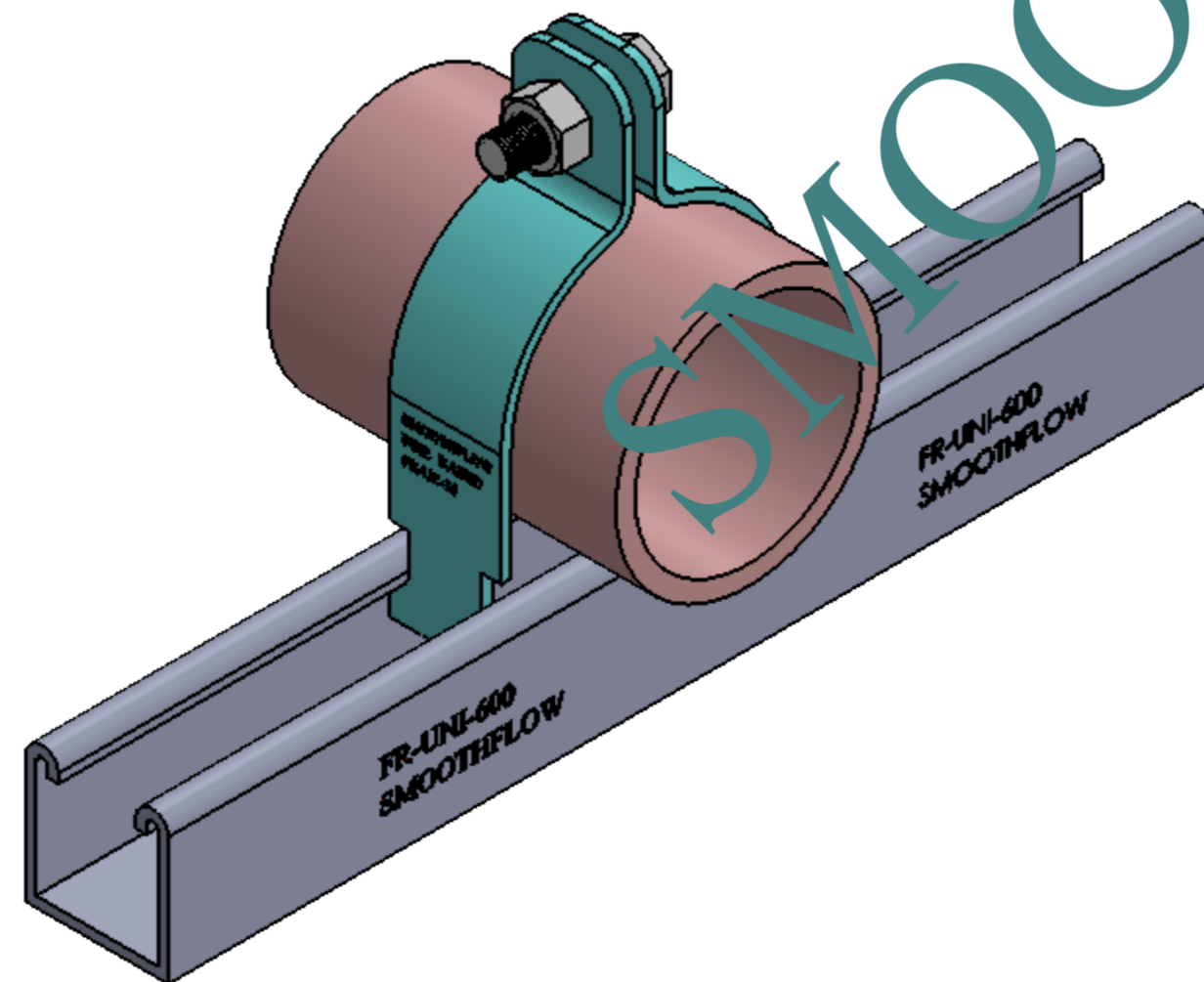
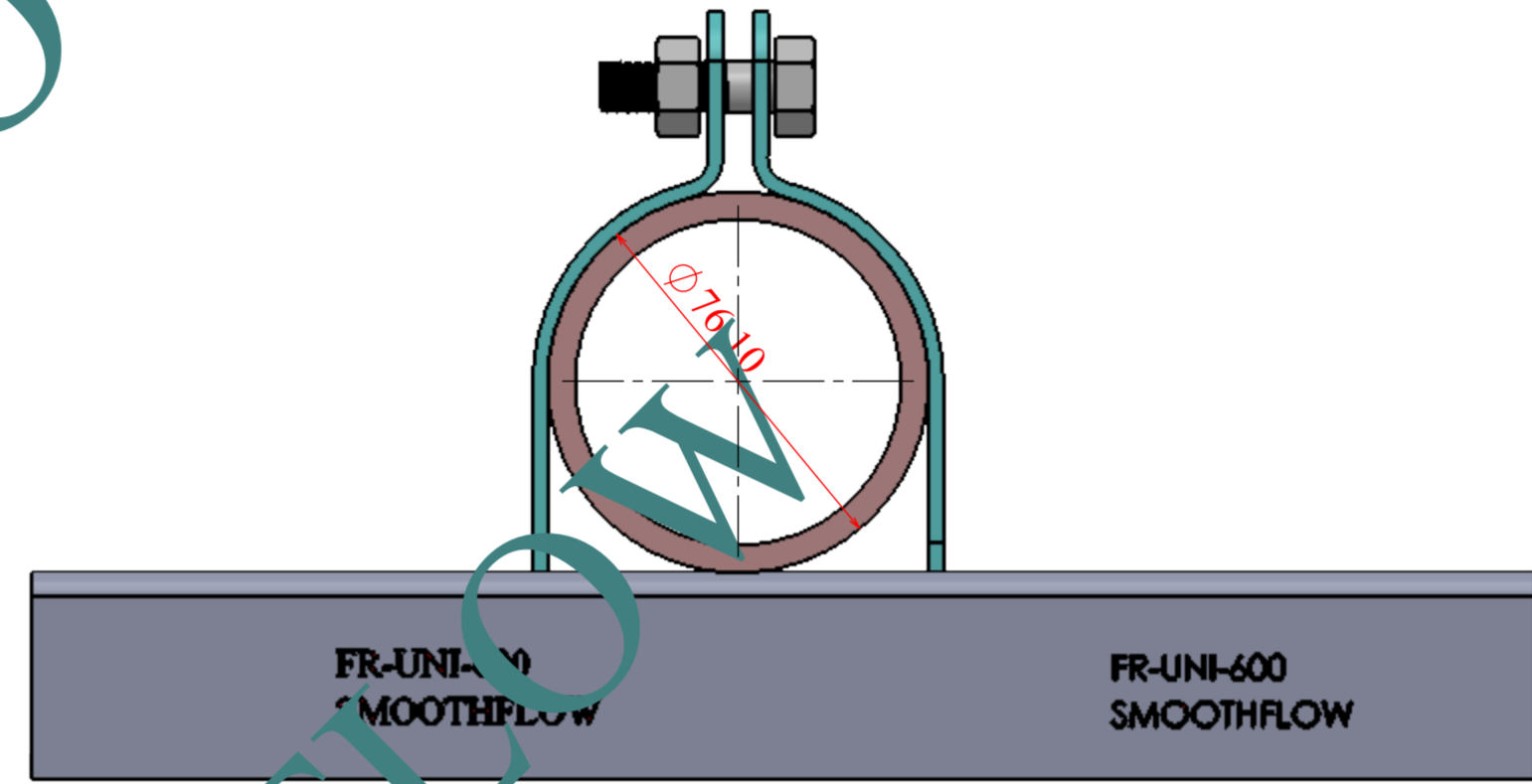
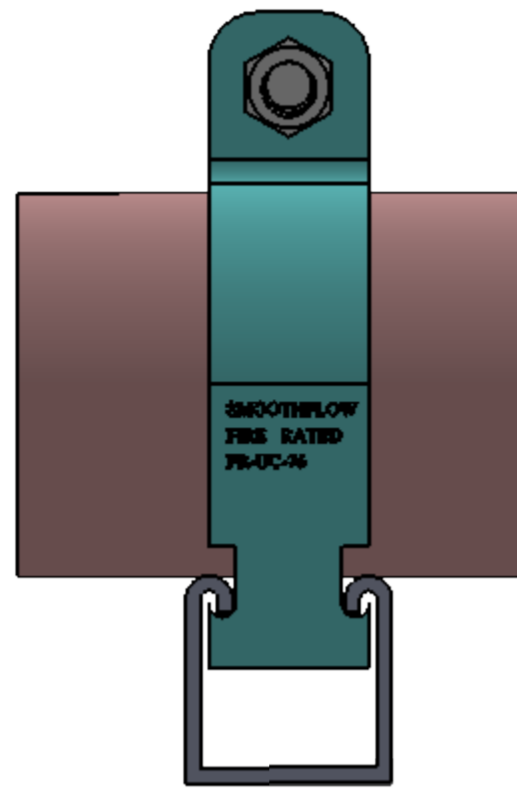
UNLESS OTHERWISE SPECIFIED: FINISH:				DEBUR AND BREAK SHARP EDGES		DO NOT SCALE DRAWING		REVISION	
DIMENSIONS ARE IN MILLIMETERS						SMOOTHFLOW			
SURFACE FINISH:						TITLE:			
TOLERANCES:						Strut Channel 41x41-600			
LINEAR:						Fire Rated			
ANGULAR:						MATERIAL:		DWG NO.	
NAME		SIGNATURE		DATE		310S		FR-UNI-600	
DRAWN		Kevin		24/7/2021		WEIGHT:		SCALE:1:2	
CHKD								SHEET 1 OF 1	
APPVD									
MFG									
Q.A									



SMOOTHFLOW

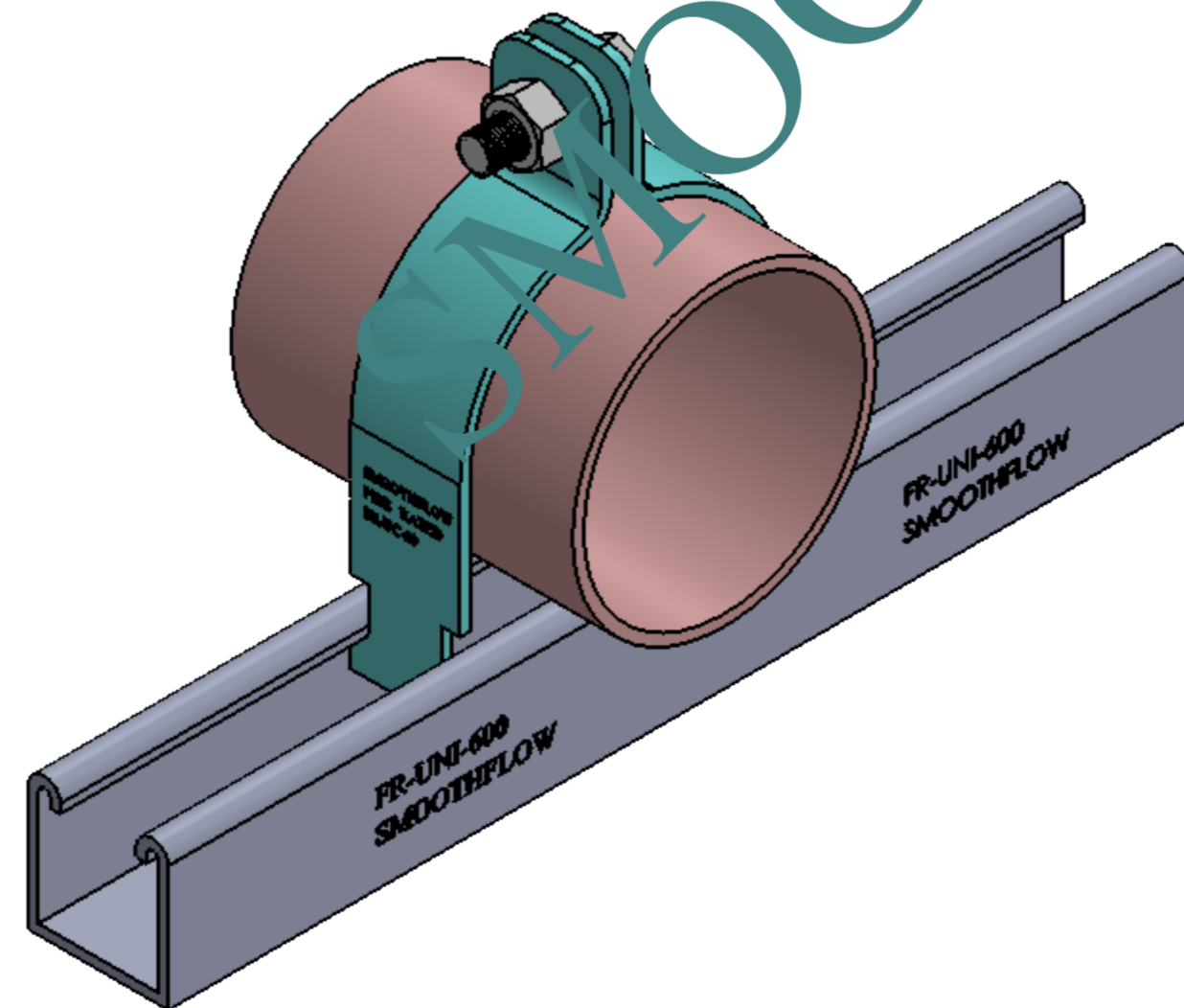
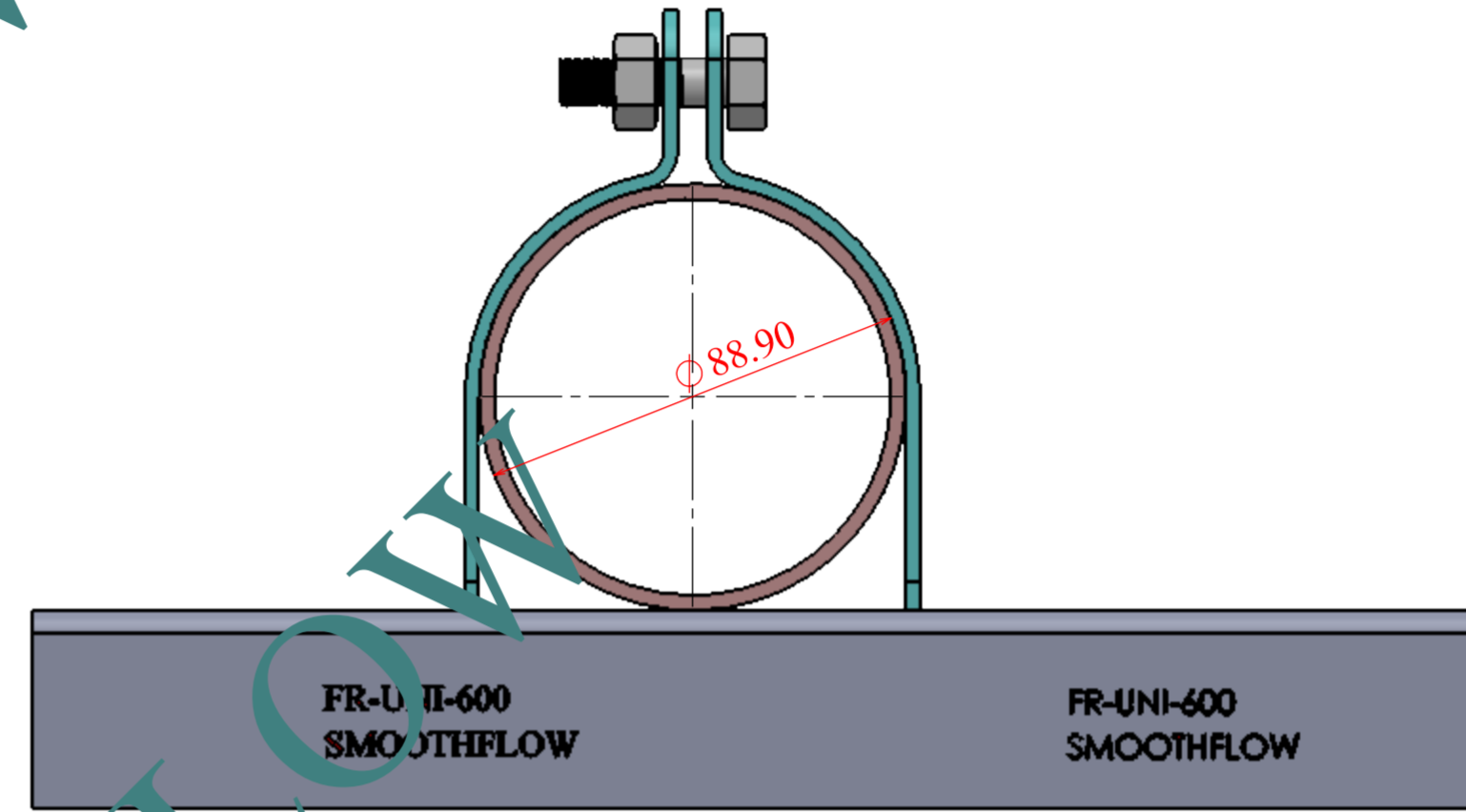
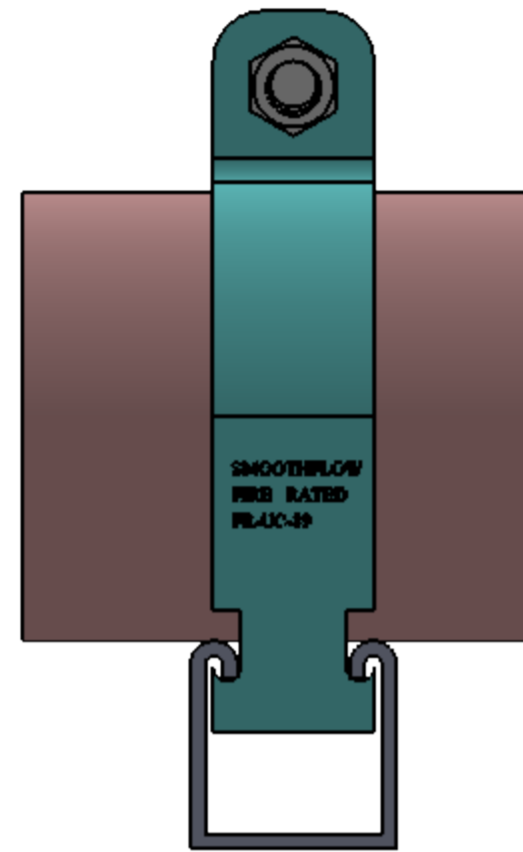
SMOOTHFLOW

UNLESS OTHERWISE SPECIFIED: FINISH: DIMENSIONS ARE IN MILLIMETERS				DEBUR AND BREAK SHARP EDGES		DO NOT SCALE DRAWING		REVISION
SURFACE FINISH:						SMOOTHFLOW		
TOLERANCES:						TITLE:		
LINEAR:						unistrut clip (2 Pieces)		
ANGULAR:						assembly drawing		
NAME	SIGNATURE	DATE				DWG NO.		
Kevin		21/1/2021				FR-UC-60-Assem		
CHKD						SCALE:1:2		
APPRD						SHEET 1 OF 1		
MFG								
Q.A					MATERIAL:			
					310S			
					WEIGHT:			



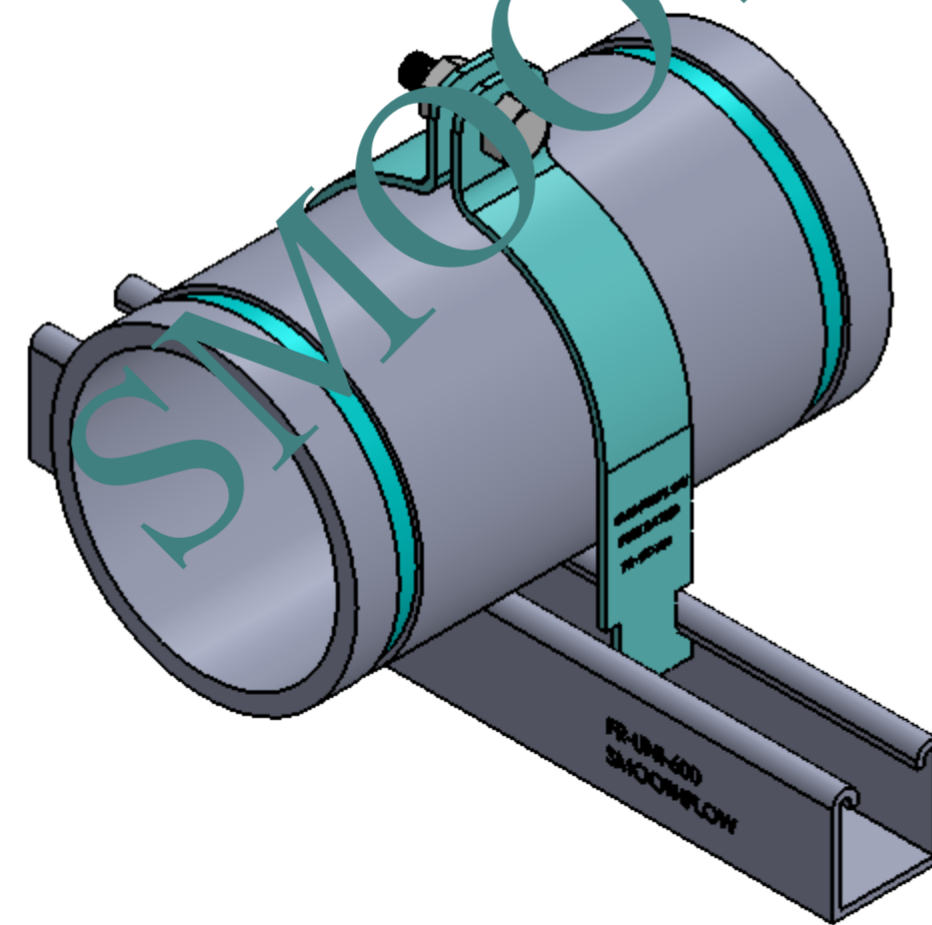
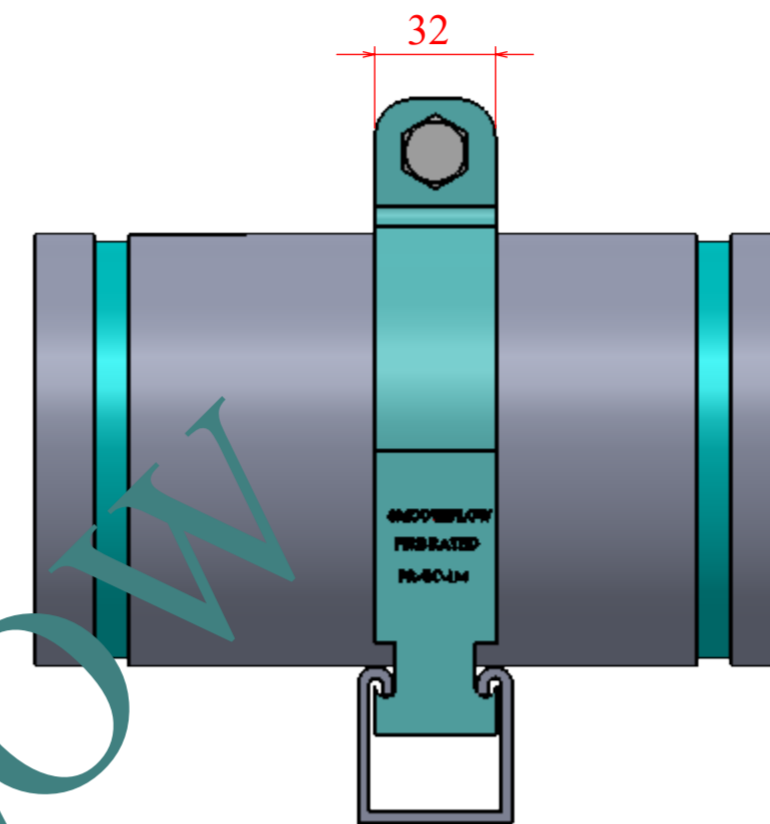
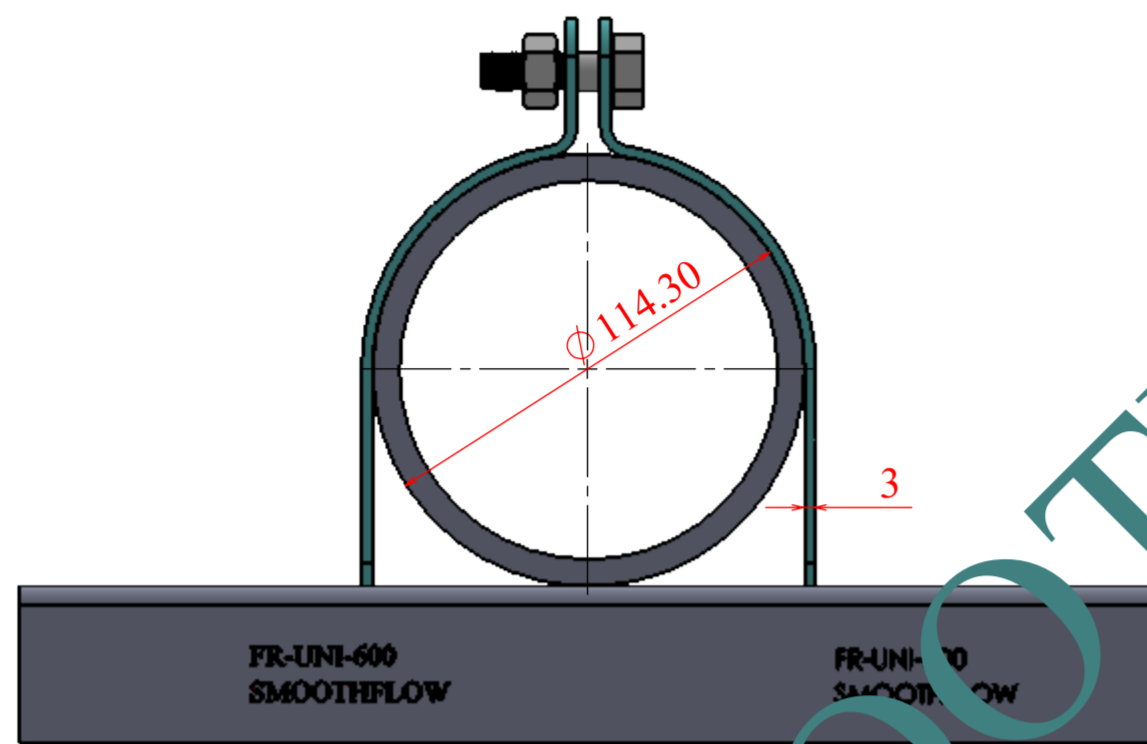
SMOOTHFLOW

UNLESS OTHERWISE SPECIFIED: FINISH: DIMENSIONS ARE IN MILLIMETERS				DEBUR AND BREAK SHARP EDGES		DO NOT SCALE DRAWING		REVISION	
SURFACE FINISH:						SMOOTHFLOW			
TOLERANCES:						TITLE:			
LINEAR:						unistrut clip (2 Pieces) assembly drawing			
ANGULAR:						DWG NO.		FR-UC-76-Assem	
DRAWN		NAME		SIGNATURE		DATE			
CHKD		Kevin				23/12/2021			
APPVD									
MFG									
Q.A						MATERIAL:			
						310S			
						WEIGHT:			
								SCALE:1:2	
								SHEET 1 OF 1	



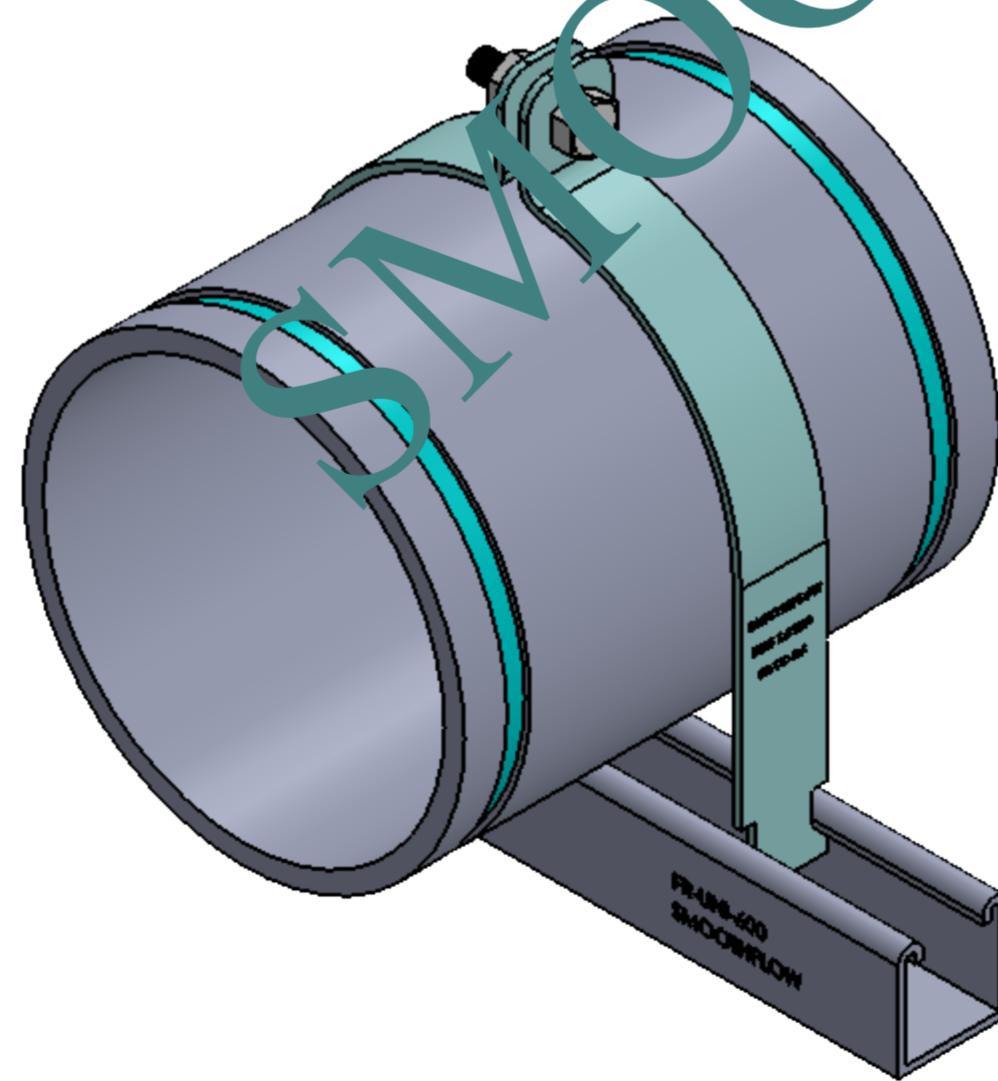
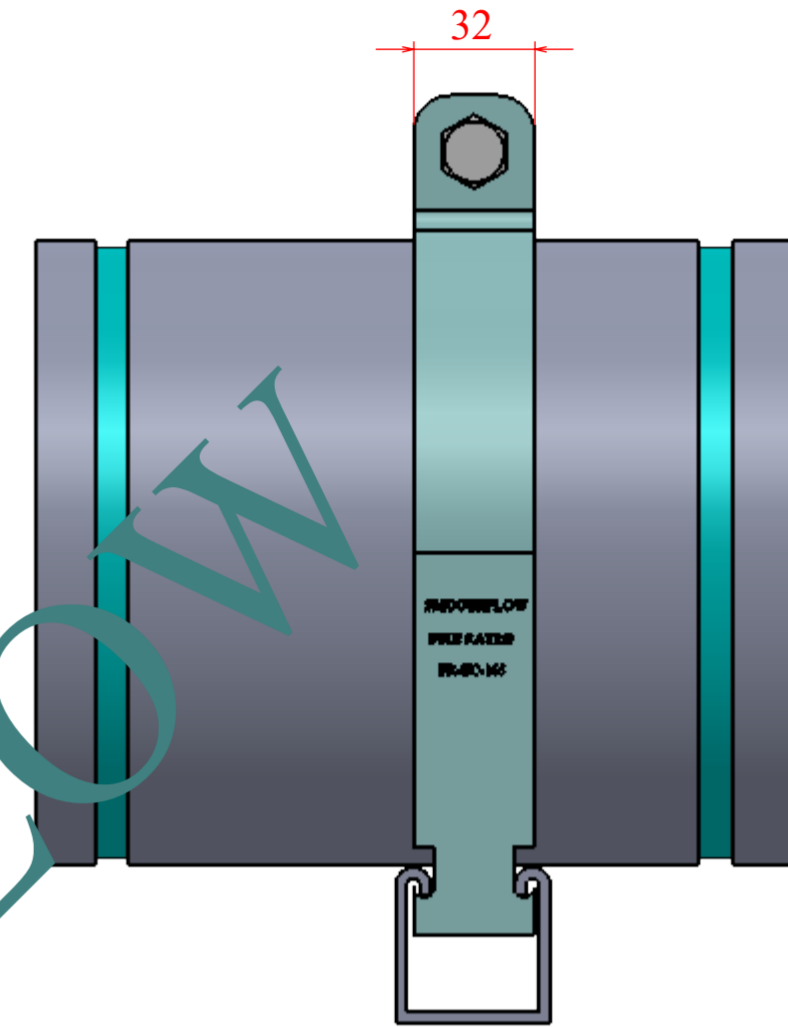
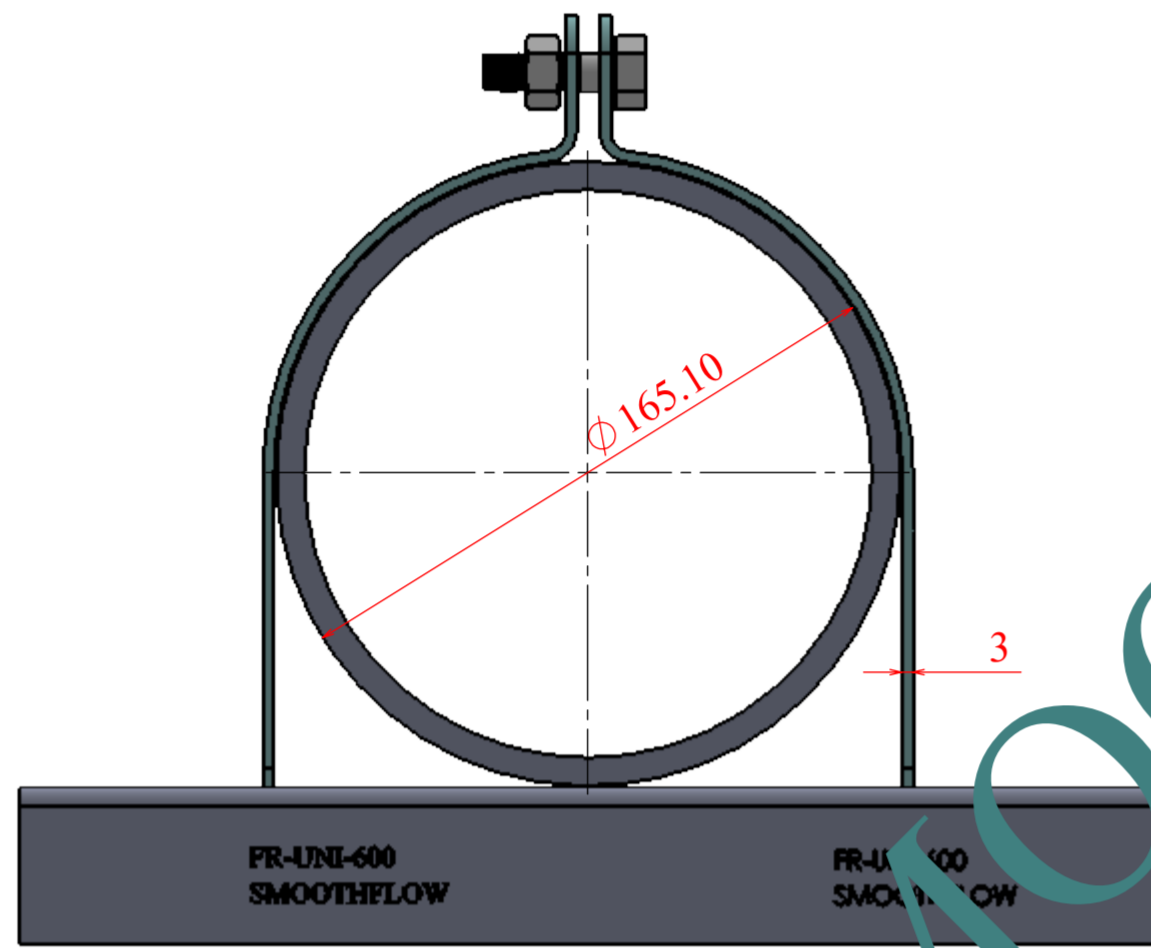
SMOOTHFLOW

UNLESS OTHERWISE SPECIFIED: FINISH: DIMENSIONS ARE IN MILLIMETERS				DEBUR AND BREAK SHARP EDGES		DO NOT SCALE DRAWING		REVISION
SURFACE FINISH:						SMOOTHFLOW		
TOLERANCES:						TITLE:		
LINEAR:						unistrut clip (2 Pieces)		
ANGULAR:						assembly drawing		
NAME	SIGNATURE	DATE				DWG NO.		
Kevin		21/1/2021				FR-UC-89-Assem		
CHKD						SCALE:1:2		
APPVD						SHEET 1 OF 1		
MFG					MATERIAL:			
Q.A					310S			
					WEIGHT:			



SMOOTHFLOW

UNLESS OTHERWISE SPECIFIED: FINISH: DIMENSIONS ARE IN MILLIMETERS				DEBUR AND BREAK SHARP EDGES		DO NOT SCALE DRAWING		REVISION	
SURFACE FINISH:						TITLE: SMOOTHFLOW			
TOLERANCES:									
LINEAR:						DWG NO. FR-UC-114-Assem			
ANGULAR:									
DRAWN: Kevin		SIGNATURE		DATE: 21/1/2021		MATERIAL: 304			
CHK'D									
APP'VD						SCALE:1:2			
MFG									
Q.A						SHEET 1 OF 1			



SMOOTHFLOW

UNLESS OTHERWISE SPECIFIED: FINISH: DIMENSIONS ARE IN MILLIMETERS				DEBUR AND BREAK SHARP EDGES		DO NOT SCALE DRAWING	REVISION
SURFACE FINISH:						SMOOTHFLOW	
TOLERANCES:						TITLE:	
LINEAR:						unistrut clip (2 Pieces) assembly drawing	
ANGULAR:						DWG NO. FR-UC-165-Assem	
DRAWN	NAME	SIGNATURE	DATE			SCALE:1:2	
CHKD	Kevin		21/1/2021			SHEET 1 OF 1	
APPVD							
MFG				MATERIAL: 310S			
Q.A				WEIGHT:			