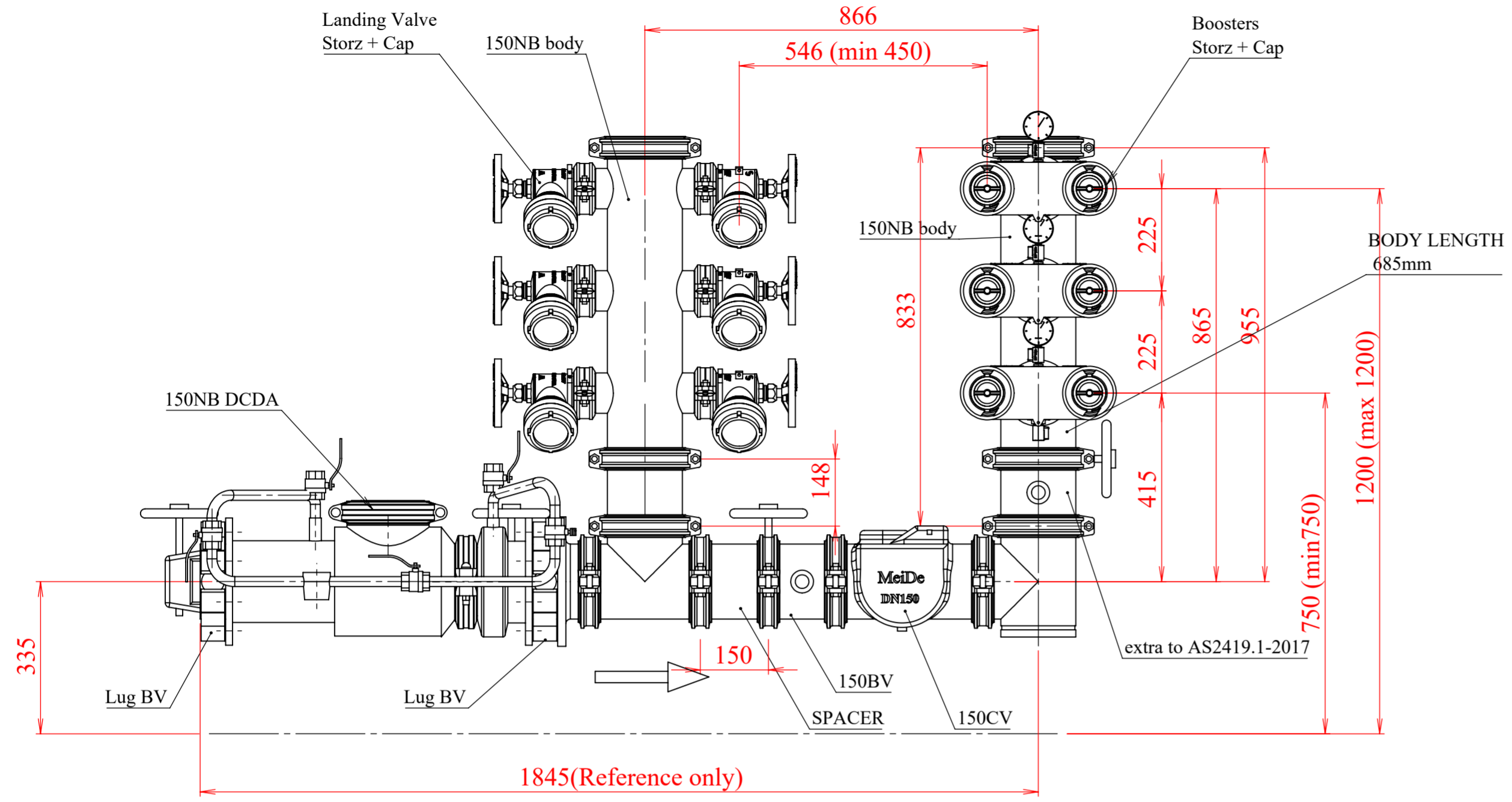
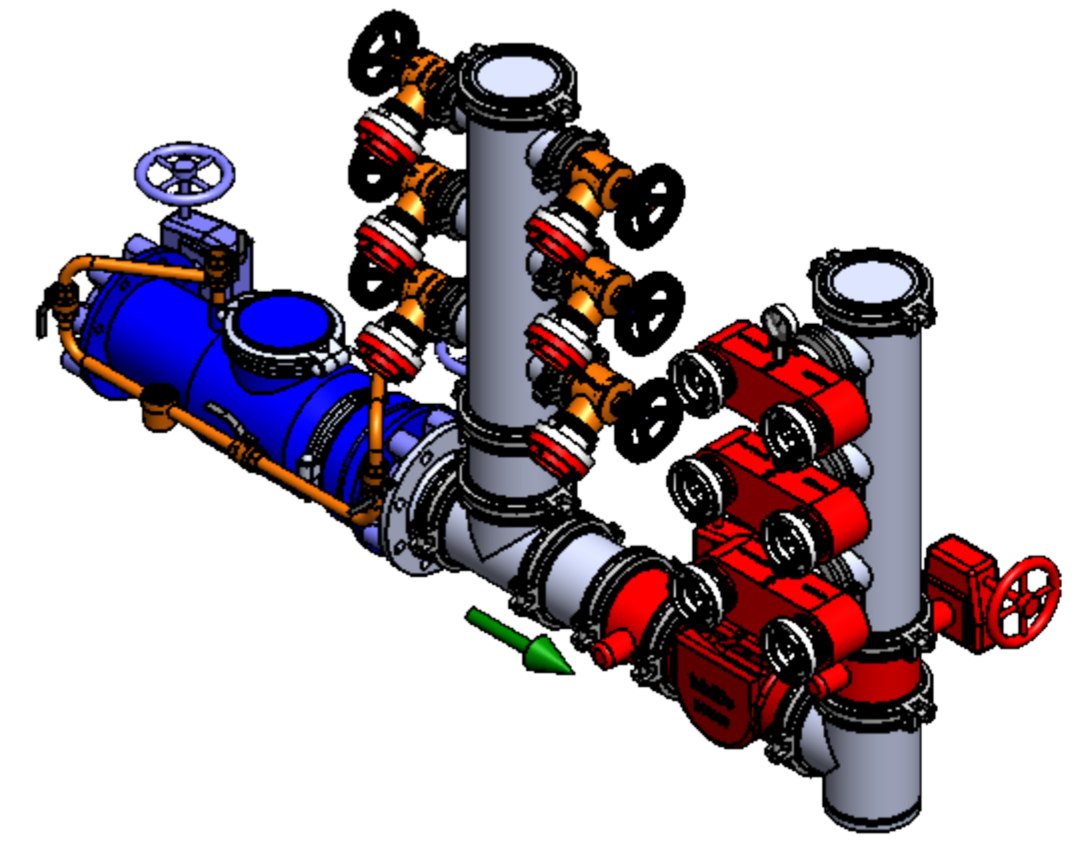
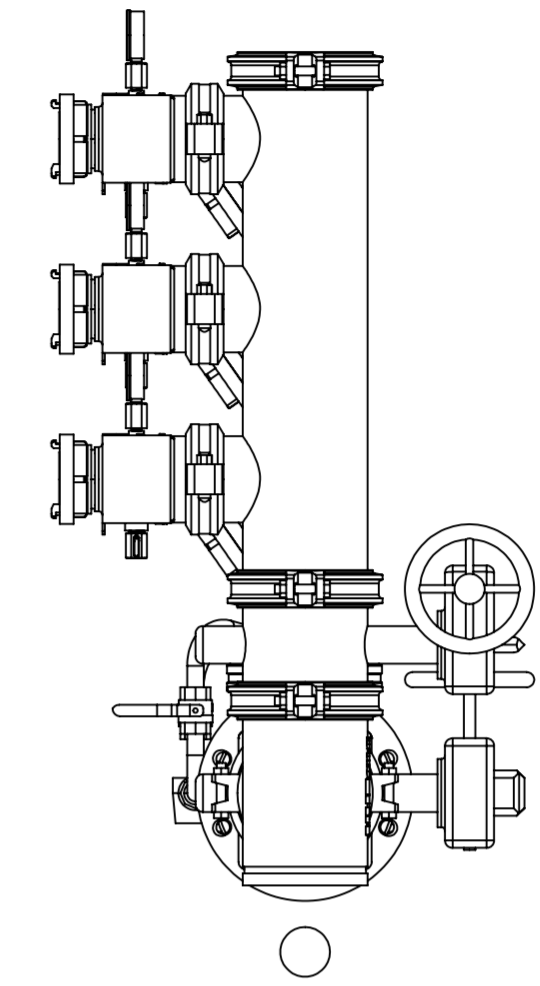
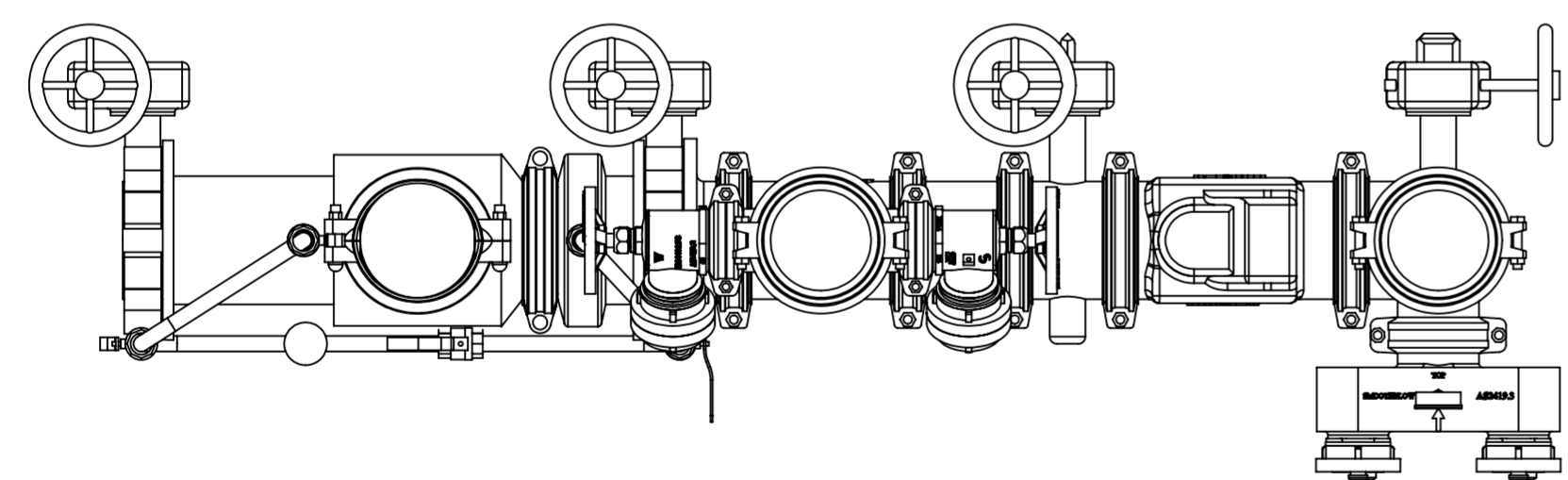


# 6 points



GROUND LEVEL



Dimensions on the drawings will vary with components used and are for reference only. For final installation, please ring Smoothflow office for latest design

## ONE OF ARRANGEMENTS FOR 150MM HYDRANT BOOSTER ASSEMBLY

**SMOOTHFLOW CODE NUMBER**  
**Booster-150NB-H06**

UNLESS OTHERWISE SPECIFIED: FINISH: DIMENSIONS ARE IN MILLIMETERS				DEBUR AND BREAK SHARP EDGES		DO NOT SCALE DRAWING		REVISION	
SURFACE FINISH:						SMOOTHFLOW AUSTRALIA			
TOLERANCES:						TITLE: HYDRANT BOOSTER ASSEMBLY - H Pattern			
LINEAR:						150NB CV-MEIDE			
ANGULAR:						DWG NO. BOOSTER-150NB-H06			
DRAWN: Kevin		SIGNATURE		DATE: 30/12/2015		MATERIAL: ASSEMBLY		SCALE: 1:1	
CHKD:				REVISED: 6/11/2009		WEIGHT:		SHEET 1 OF 1	
APPVD:									
MFG:									
Q.A:									