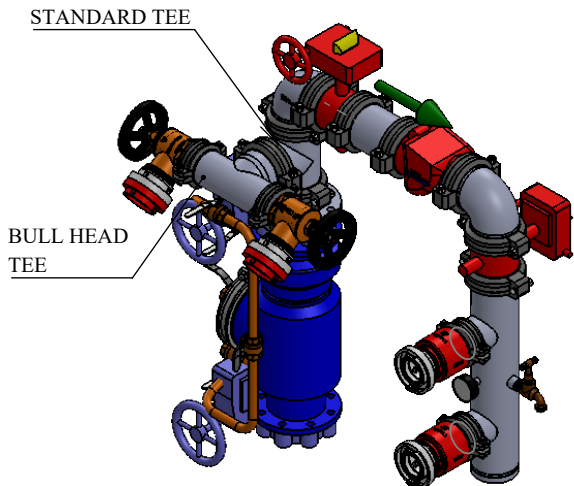
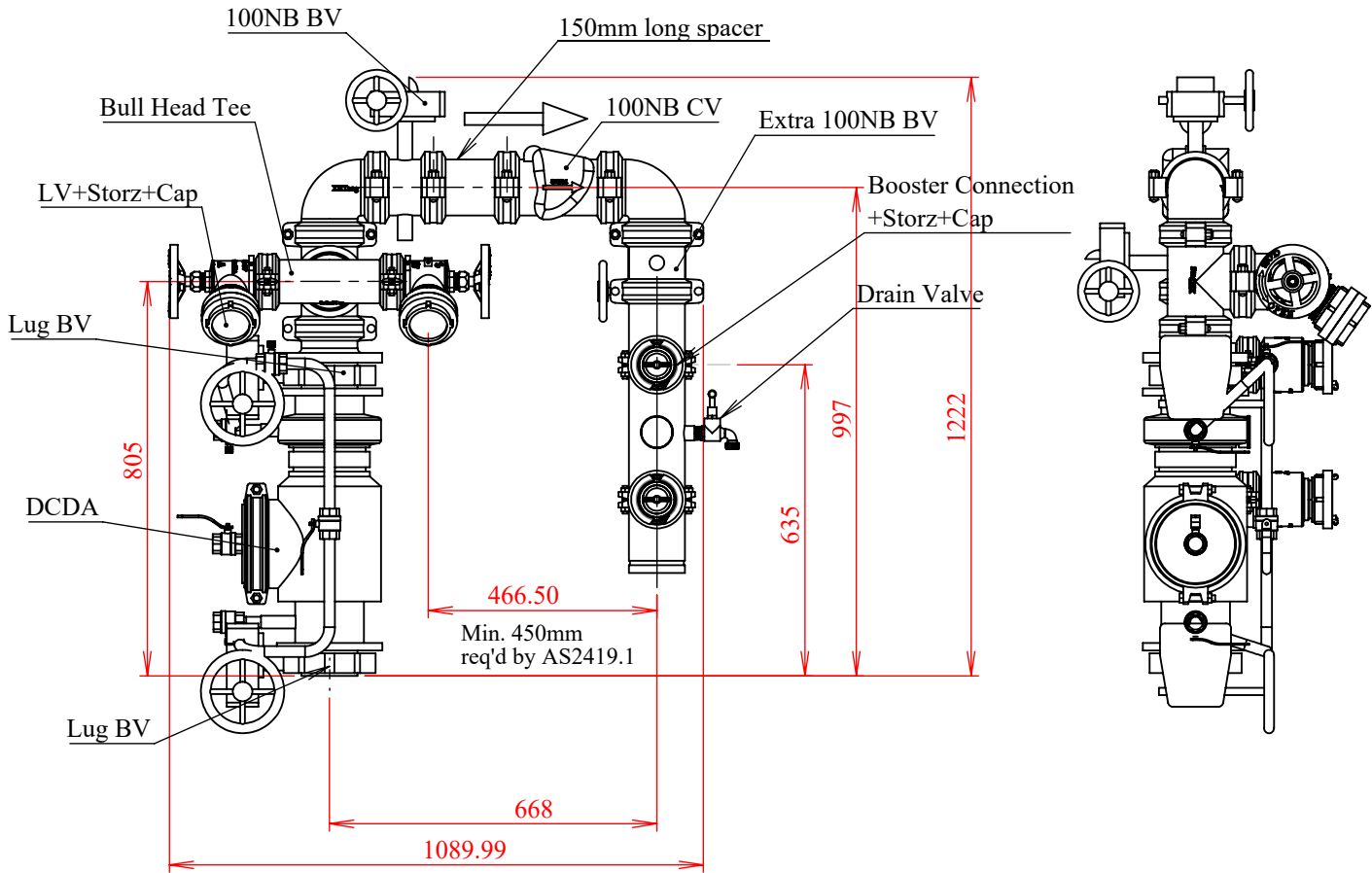


SMOOTHFLOW CODE NUMBER

Booster-100NB-16-R1



Dimensions on the drawings will vary with components used and are for reference only. For final installation, please ring Smoothflow office for latest design

2 POINT BOOSTER ASSEMBLY

ONE OF ARRANGEMENTS FOR 100MM HYDRANT BOOSTER ASSEMBLY

PROPRIETARY AND CONFIDENTIAL
 THE INFORMATION CONTAINED IN THIS DRAWING IS THE SOLE PROPERTY OF <INSERT COMPANY NAME HERE>. ANY REPRODUCTION IN PART OR AS A WHOLE WITHOUT THE WRITTEN PERMISSION OF <INSERT COMPANY NAME HERE> IS PROHIBITED.

		DIMENSIONS ARE IN INCHES TOLERANCES: FRACTIONAL ± ANGULAR: MACH ± BEND ± TWO PLACE DECIMAL ± THREE PLACE DECIMAL ±	
		MATERIAL	
NEXT ASSY	USED ON	FINISH	
APPLICATION		DO NOT SCALE DRAWING	

	NAME	DATE
DRAWN	KEVIN ZHENG	27/6/2014
CHECKED		
ENG APPR.		
MFG APPR.		
Q.A.		
COMMENTS:		

SMOOTHFLOW AUSTRALIA		
Title		
Hydrant Assembly - 100NB STABLE Extra BV		
SIZE	DWG. NO.	REV.
A	DWG-BOOSTER-100NB-16-R1	
SCALE:1:20	WEIGHT:	SHEET 1 OF 1