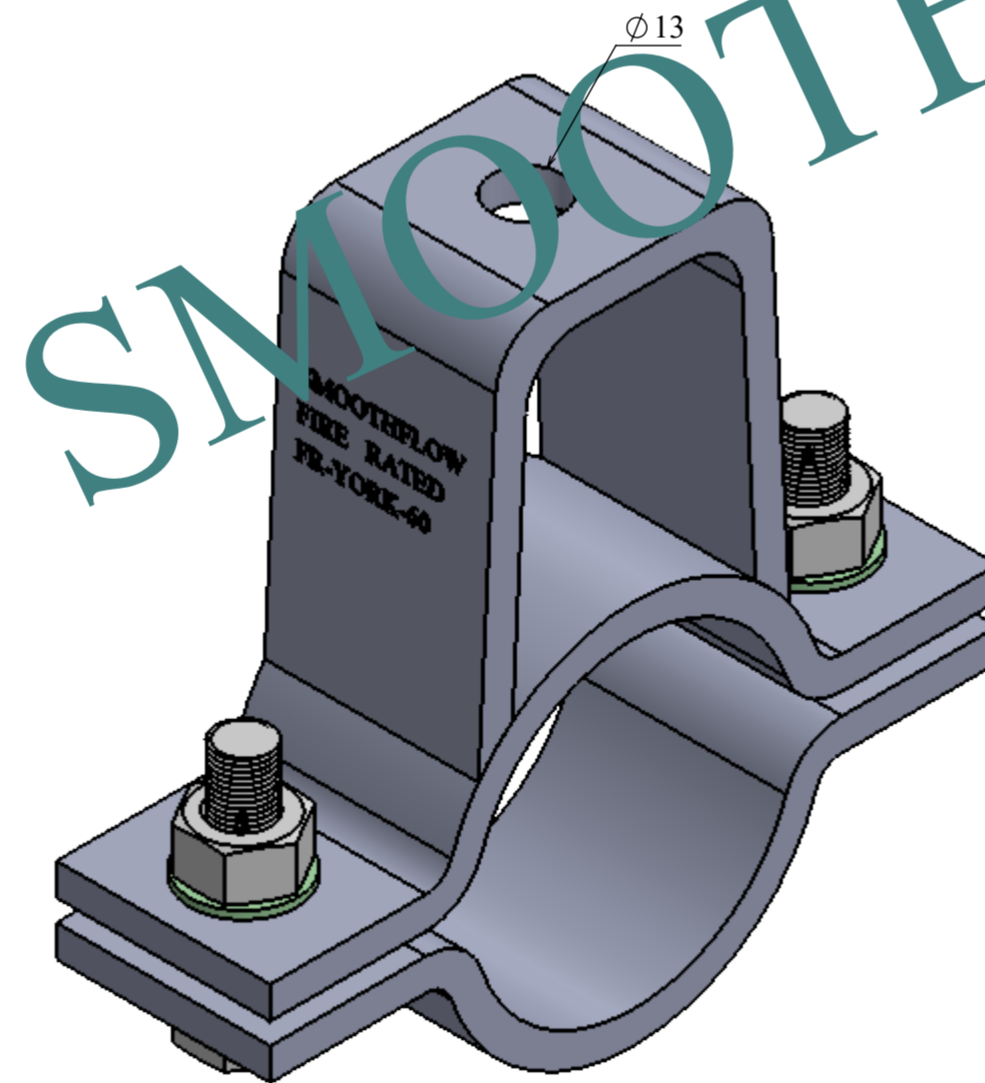
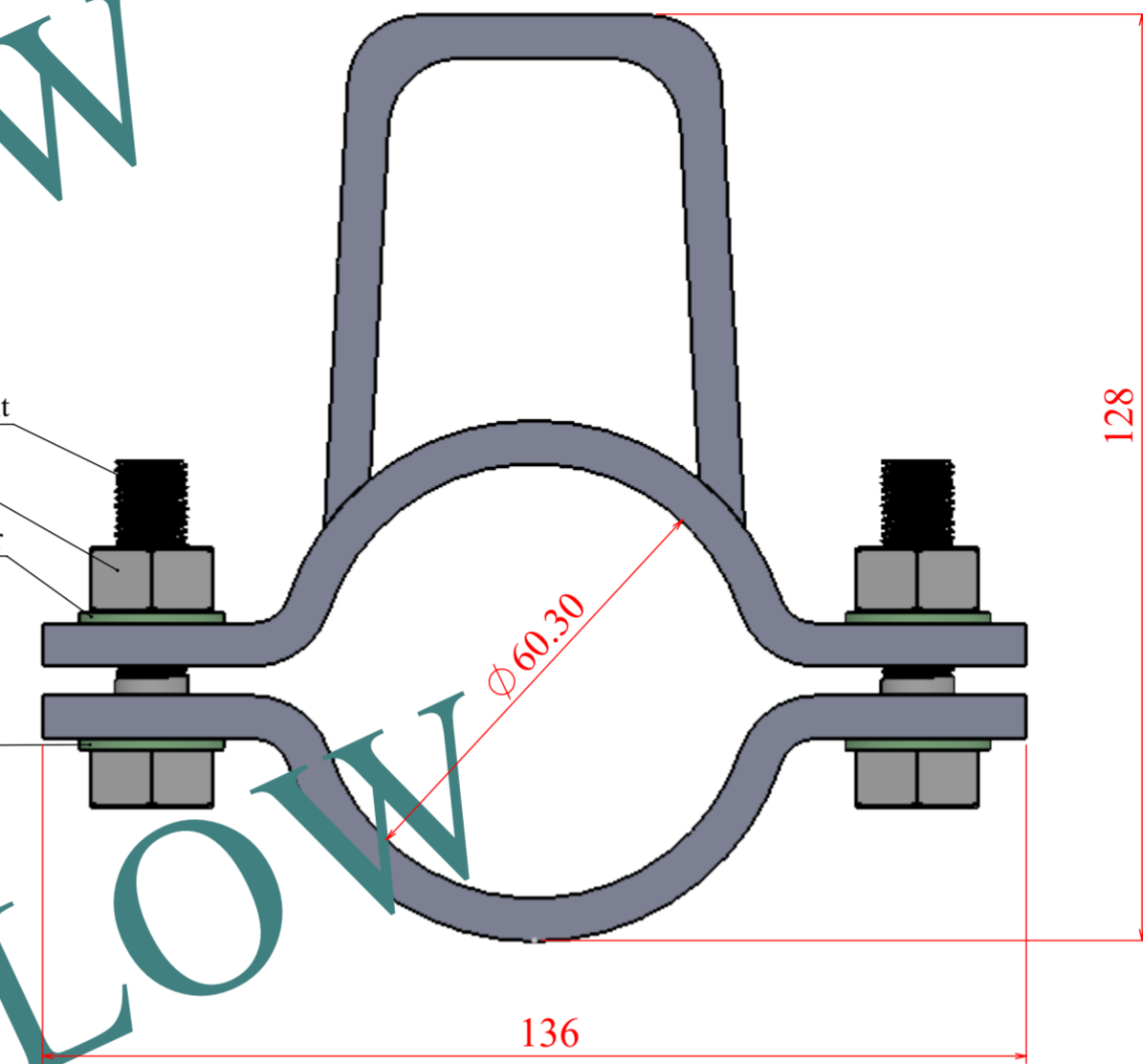
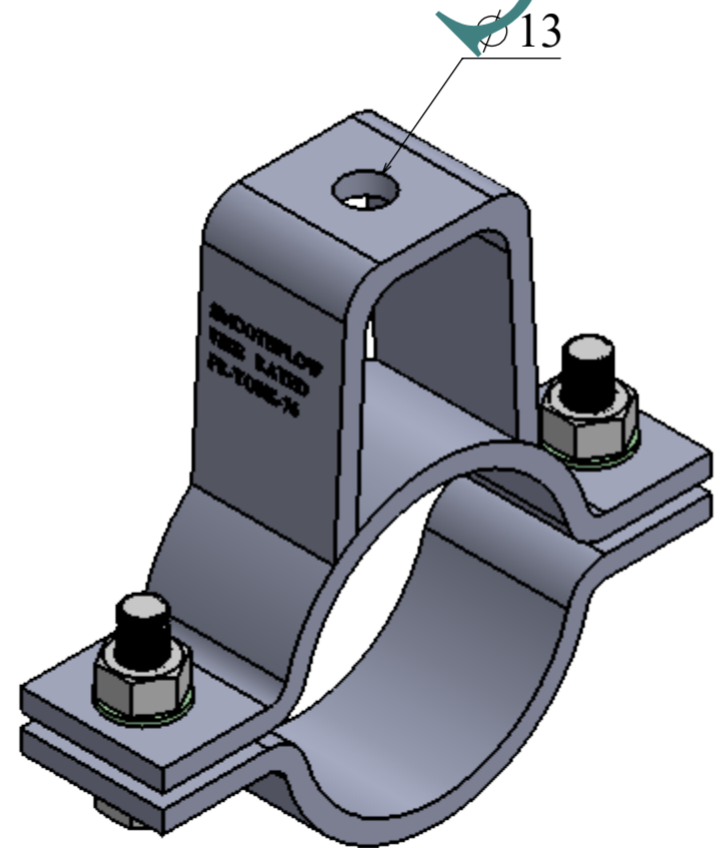
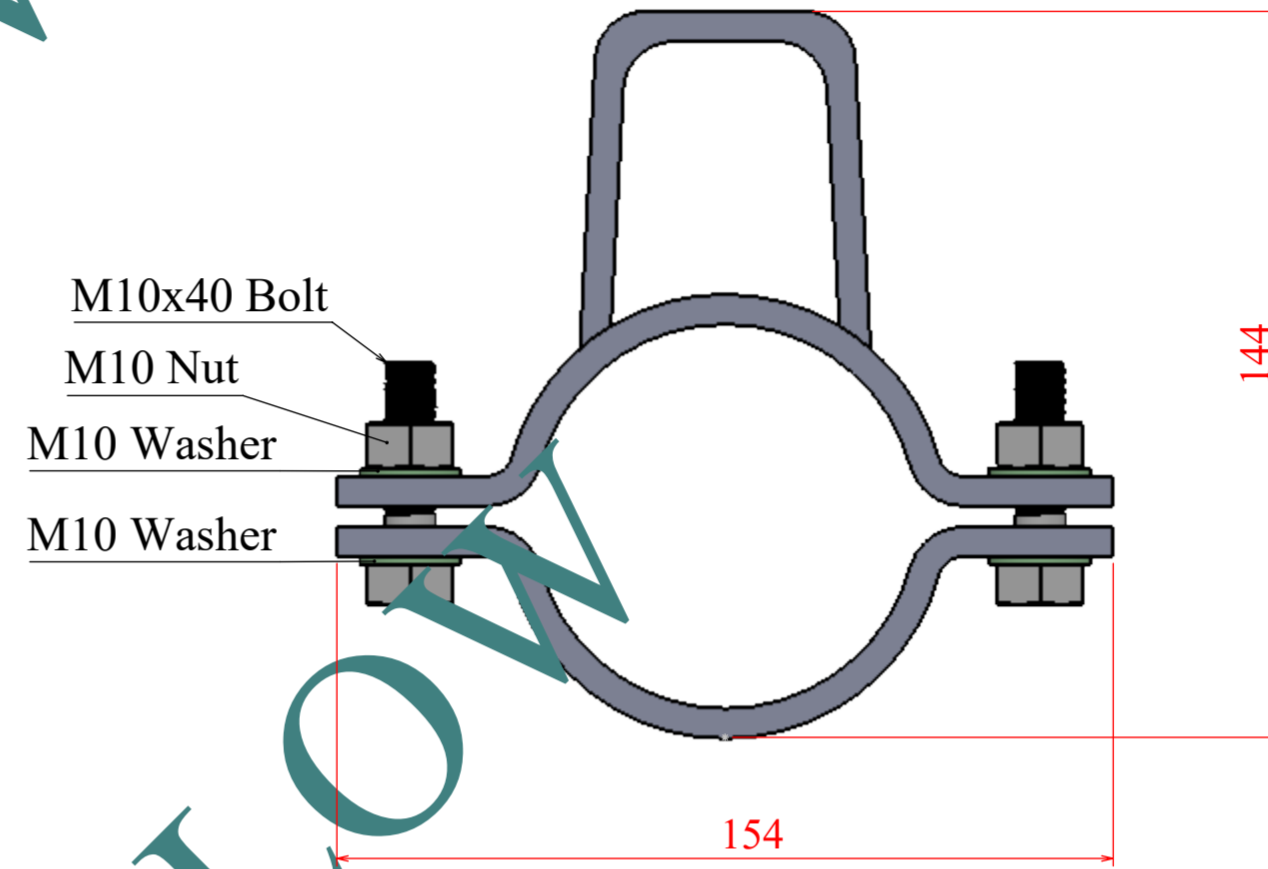
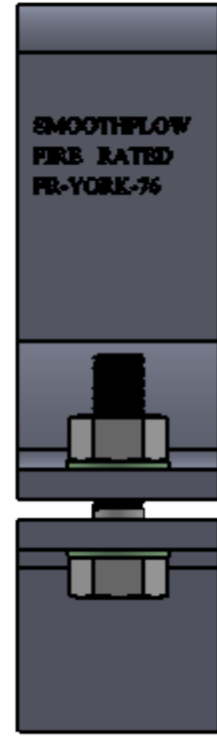


SMOOTHFLOW

M10x40 bolt
M10 nut
M10 washer
M10 washer



UNLESS OTHERWISE SPECIFIED: FINISH: DIMENSIONS ARE IN MILLIMETERS				DEBUR AND BREAK SHARP EDGES		DO NOT SCALE DRAWING		REVISION
SURFACE FINISH:						SMOOTHFLOW		
TOLERANCES:						TITLE:		
LINEAR:						Yoke Clamp for pipes		
ANGULAR:						• DN50		
NAME	SIGNATURE	DATE				DWG NO.		
Kevin		22/7/2021				Yoke-Assem-DN50		
CHKD						SCALE:1:2		
APPRD						SHEET 1 OF 1		
MFG								
Q.A								
				MATERIAL:				
				Special Material				
				WEIGHT:				



SMOOTHFLOW

SMOOTHFLOW

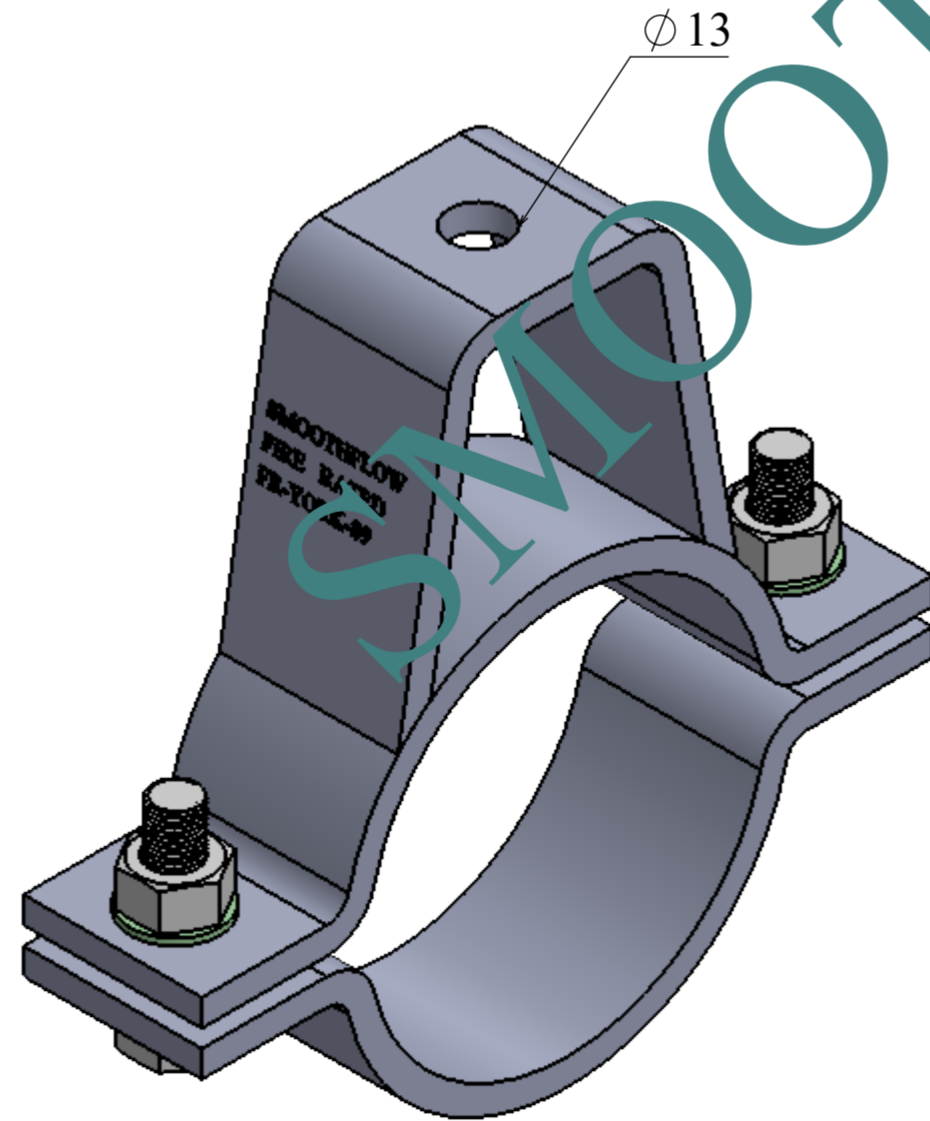
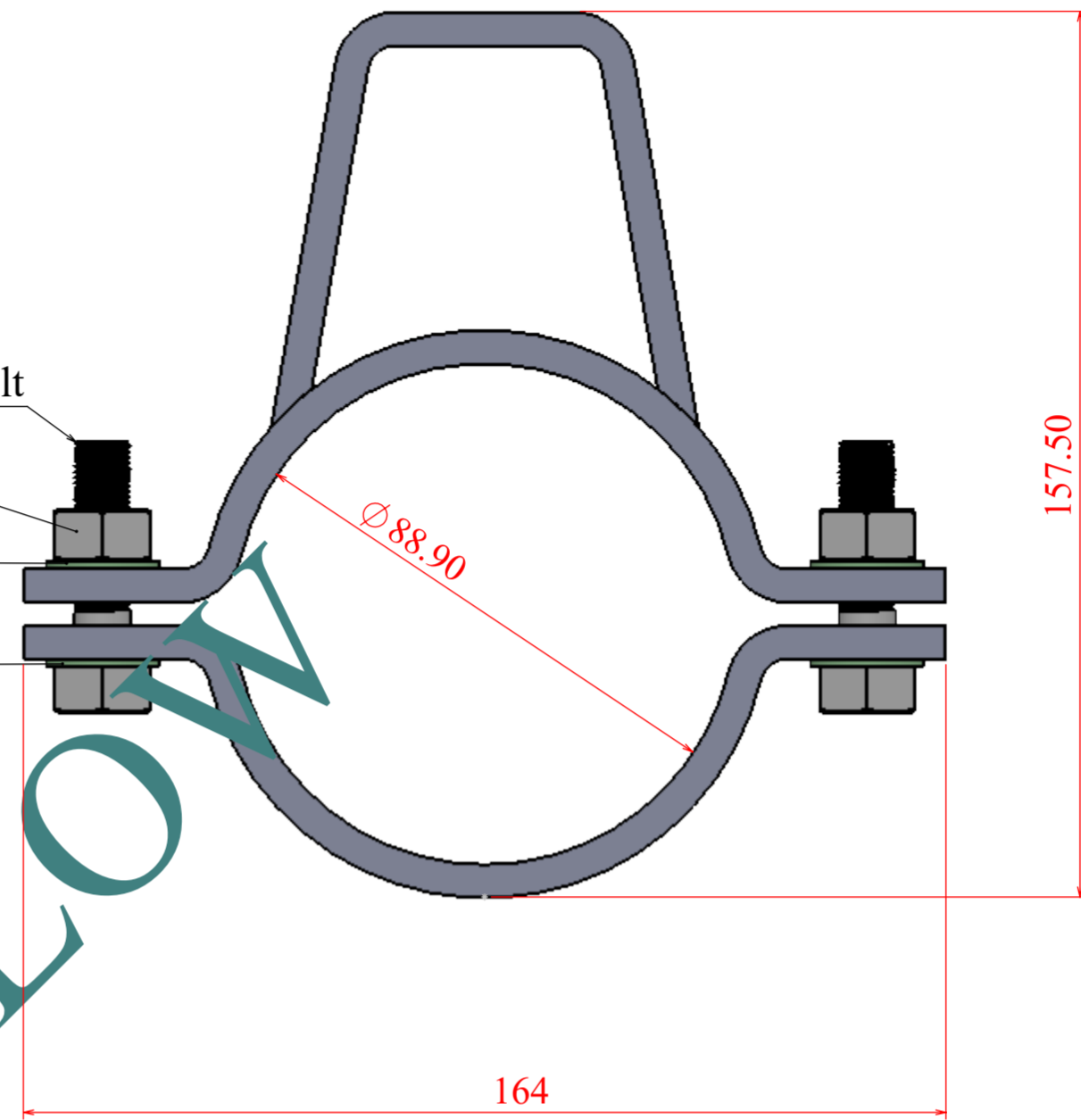
UNLESS OTHERWISE SPECIFIED: FINISH: DIMENSIONS ARE IN MILLIMETERS				DEBUR AND BREAK SHARP EDGES		DO NOT SCALE DRAWING		REVISION
SURFACE FINISH:						SMOOTHFLOW		
TOLERANCES:						TITLE:		
LINEAR:						Yoke Clamp for pipes • DN65		
ANGULAR:						DWG NO. Yoke-Assem-DN65		
NAME	SIGNATURE	DATE		MATERIAL:		SCALE:1:2		
Kevin		22/7/2021		Special Material		SHEET 1 OF 1		
CHKD				WEIGHT:				
APPVD								
MFG								
Q.A								



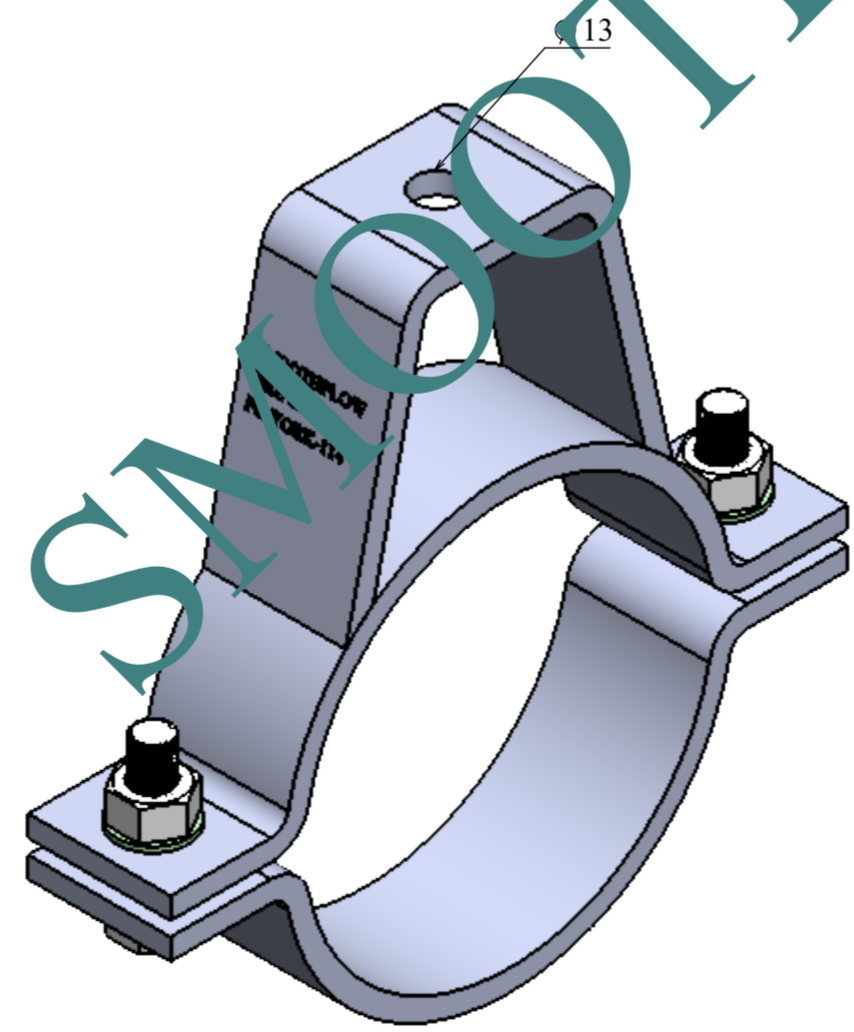
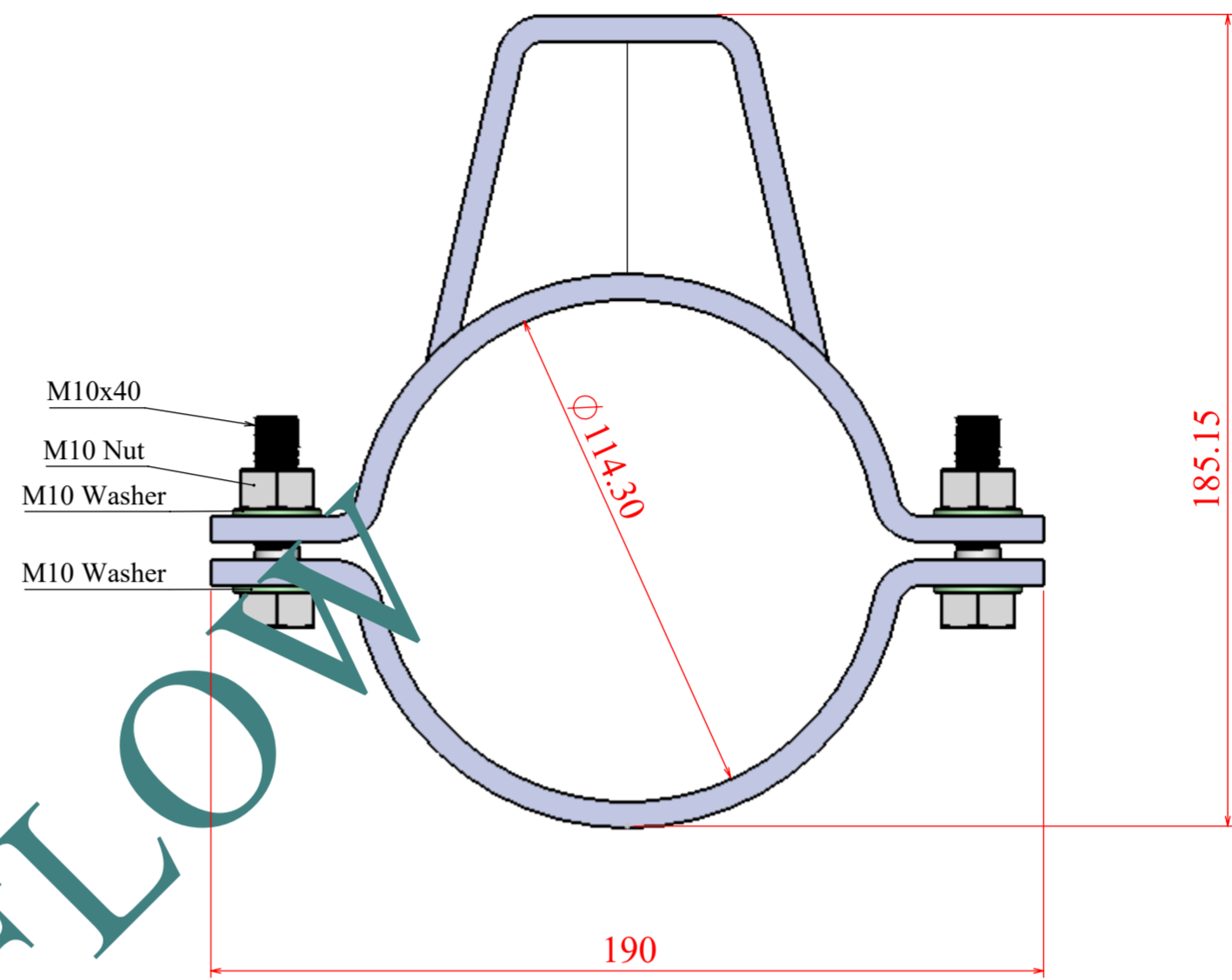
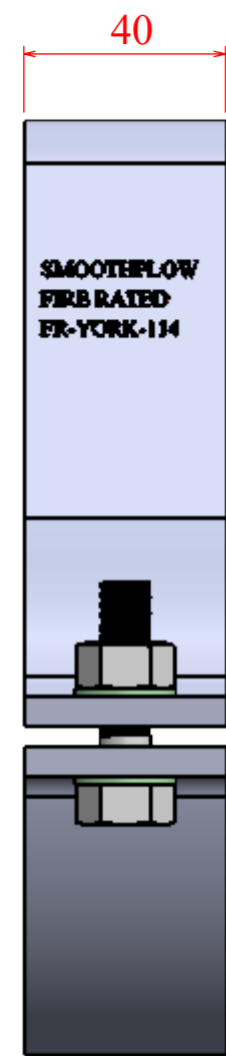
SMOOTHFLOW
FIRE RATED
FR-YORK-89

SMOOTHFLOW

- M10x40 Bolt
- M10 Nut
- M10 Washer
- M10 Washer



UNLESS OTHERWISE SPECIFIED: FINISH: DIMENSIONS ARE IN MILLIMETERS				DEBUR AND BREAK SHARP EDGES		DO NOT SCALE DRAWING		REVISION
SURFACE FINISH:						SMOOTHFLOW		
TOLERANCES:						TITLE:		
LINEAR:						Yoke Clamp for pipes		
ANGULAR:						• DN80		
NAME	SIGNATURE	DATE				DWG NO.		
Kevin		22/7/2021				Yoke-Assem-DN80		
CHKD						SCALE:1:2		
APPVD						SHEET 1 OF 1		
MFG								
Q.A								
				MATERIAL:				
				Special Material				
				WEIGHT:				



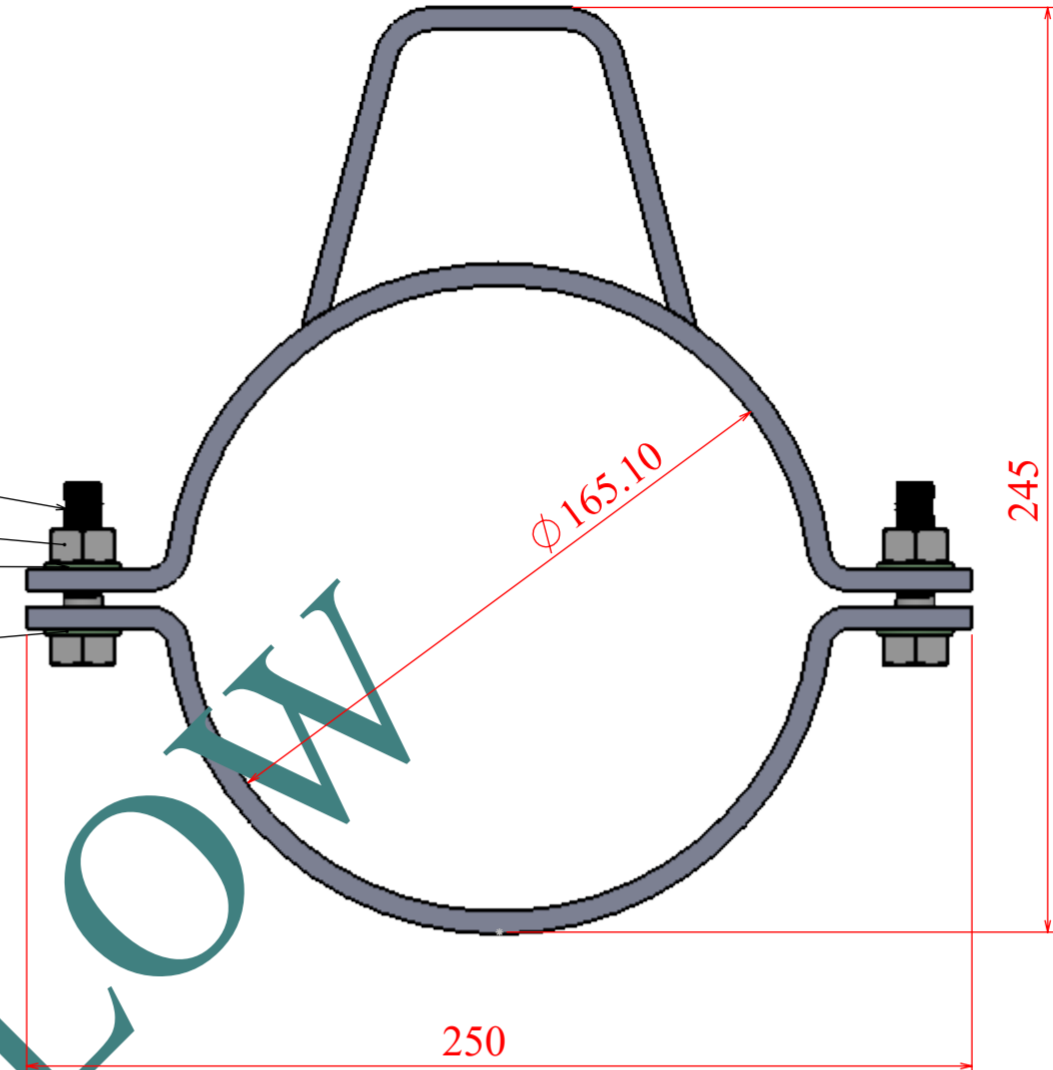
SMOOTHFLOW

UNLESS OTHERWISE SPECIFIED: FINISH: DIMENSIONS ARE IN MILLIMETERS				DEBUR AND BREAK SHARP EDGES		DO NOT SCALE DRAWING		REVISION
SURFACE FINISH:						SMOOTHFLOW		
TOLERANCES:						TITLE:		
LINEAR:						Yoke Clamp for pipes		
ANGULAR:						• DN100		
NAME	SIGNATURE	DATE				DWG NO.		
Kevin		22/7/2021				Yoke-Assem-DN100		
CHKD						SCALE:1:2		
APPVD						SHEET 1 OF 1		
MFG								
Q.A								
				MATERIAL:				
				Special Material				
				WEIGHT:				



40

- M10x40 bolt
- M10 Nut
- M10 washer
- M10 washer

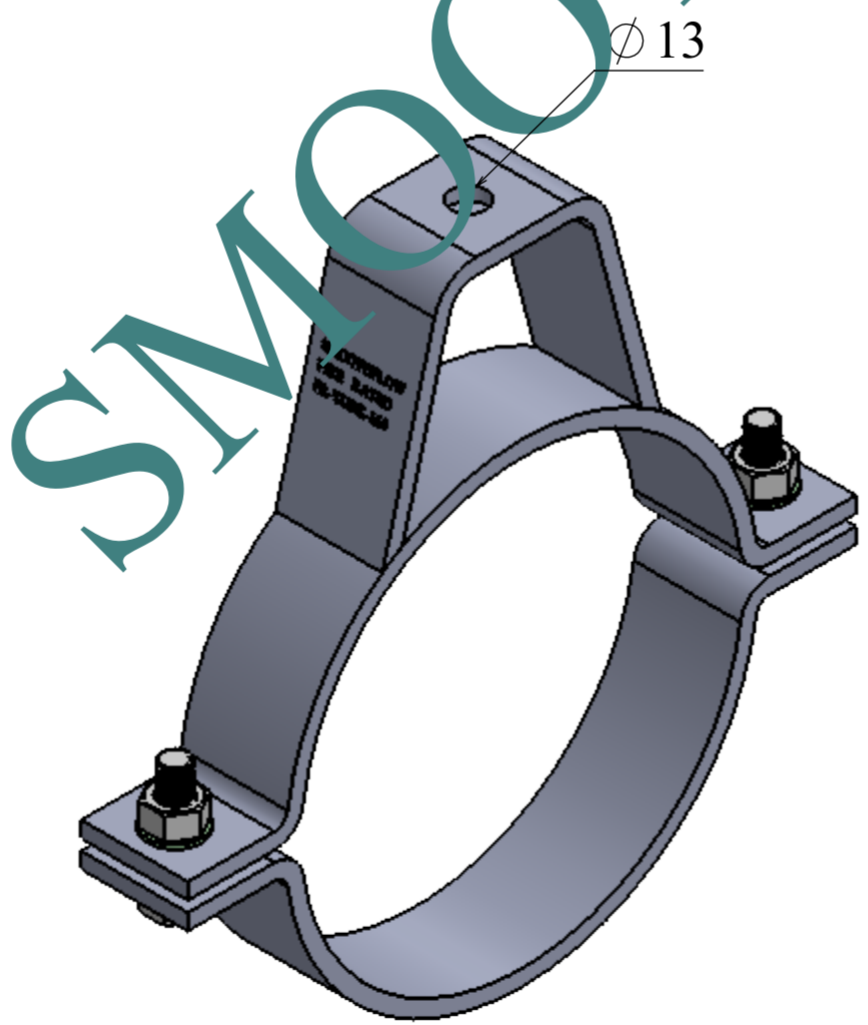


$\varnothing 165.10$

245

250

SMOOTHFLOW



$\varnothing 13$

UNLESS OTHERWISE SPECIFIED: FINISH: DIMENSIONS ARE IN MILLIMETERS				DEBUR AND BREAK SHARP EDGES		DO NOT SCALE DRAWING		REVISION
SURFACE FINISH:						SMOOTHFLOW		
TOLERANCES:						TITLE:		
LINEAR:						Yoke Clamp for pipes		
ANGULAR:						• DN150		
NAME	SIGNATURE	DATE				DWG NO.		
Kevin		22/7/2021				Yoke-Assem-DN150		
CHKD						SCALE:1:2		
APPVD						SHEET 1 OF 1		
MFG								
Q.A								
				MATERIAL:				
				Special Material				
				WEIGHT:				